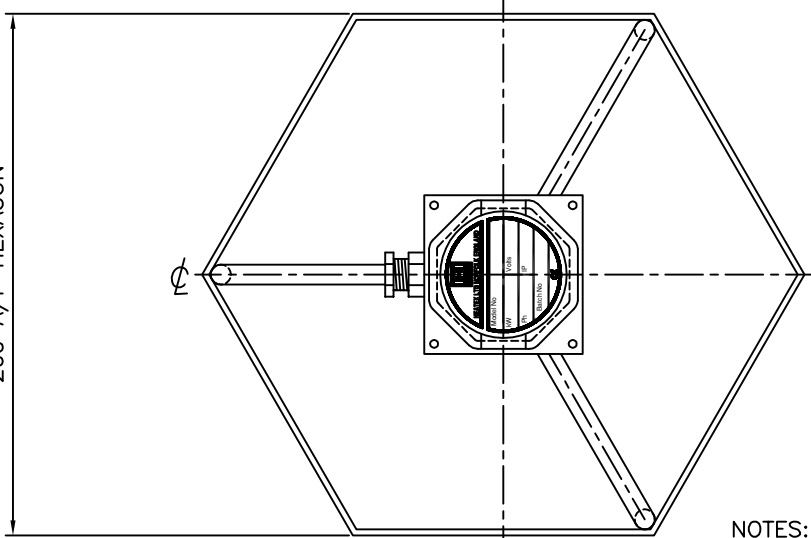


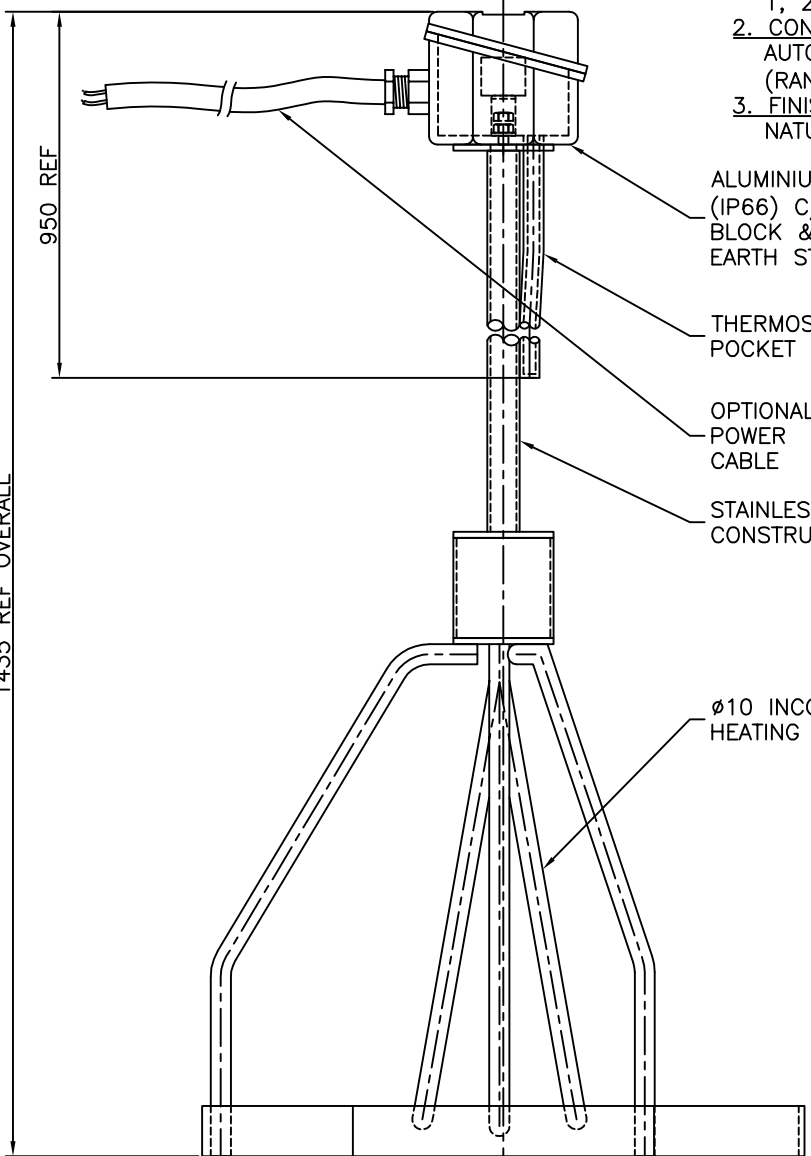
260 A/F HEXAGON



NOTES:

1. RATING & SUPPLY:
1, 2 OR 3kW @ 240V 1Ph 50/60Hz.
2. CONTROL:
AUTO RESET CONTROL THERMOSTAT (RANGE 0/50°C) SUPPLIED UNSET.
3. FINISH:
NATURAL.

950 REF



ALUMINIUM ENCLOSURE (IP66) C/W TERMINAL BLOCK & M5 INTERNAL EARTH STUD

THERMOSTAT POCKET

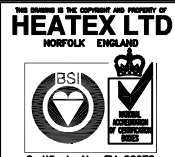
OPTIONAL POWER CABLE

STAINLESS STEEL CONSTRUCTION

Ø10 INCOLOY 800 HEATING ELEMENT

1435 REF OVERALL

4				
3				
2				
1	FIRST ISSUE	JC		
	REV. COMMENTS	DRWN.	CHKD.	APPR.
		23.08.02		



SCALE	NOT TO SCALE
3rd ANGLE PROJECTION	
TOLERANCES UNLESS OTHERWISE STATED	
0	± 1.5mm
0.0	± 0.5mm
0.00	± 0.25mm
0.000	± 0.1mm
ANGULAR	± 2'

ALL DIMENSIONS IN MILLIMETRES UNLESS OTHERWISE STATED
DO NOT SCALE!
IF IN DOUBT, ASK!
WHERE ELECTRONIC DOCUMENTS ARE SUPPLIED, THE END PRODUCT MUST CONFORM TO THE PAPER ORIGINAL.

TITLE		PORTABLE IMMERSION HEATER (PIH) GENERAL ARRANGEMENT	
PROJECT DOCUMENT NUMBER		HEATEX DRAWING NUMBER	
3017.02.01		REV	
3017.02.01		1	
PATH : \\3017\31700201.DWG		FORMAT : AUTOCAD R14	