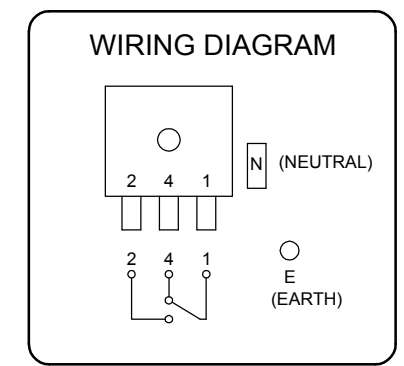
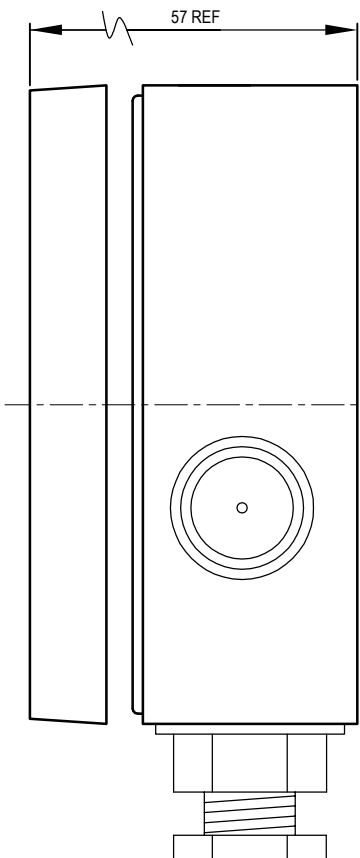
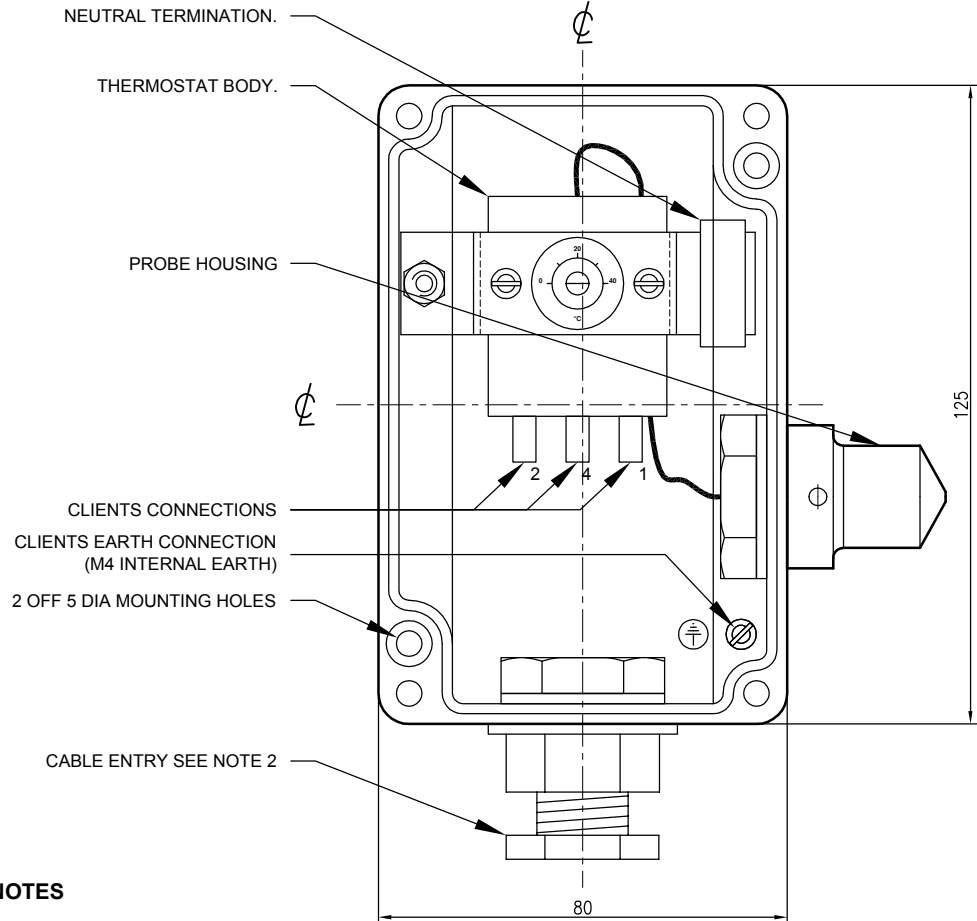


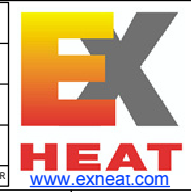
VIEW WITH TERMINAL BOX LID REMOVED



NOTES

1. TERMINAL BOX:  
MATERIAL - CAST ALUMINIUM (IP 65) FINISH - GREY (RAL 7001)
2. CABLE ENTRY:  
1 x CABLE GLAND SUITABLE FOR CABLE DIA 8 TO 13mm.
3. THERMOSTAT:  
RANGE 0/+40°C, RATED 16A ON 250V (1 X CHANGE OVER CONTACT).

REV.	COMMENTS	DATE	DRWN	CHKD	APPR
1	FIRST ISSUE	25/09/03	MJP		



SCALE	NOT TO SCALE
3rd ANGLE PROJECTION	
TOLERANCES UNLESS OTHERWISE STATED	
0	: 1.5mm
0.0	: 0.5mm
0.00	: 0.25mm
0.000	: 0.1mm
ANGULAR	: 2'

ALL DIMENSIONS IN MILLIMETRES UNLESS OTHERWISE STATED

DO NOT SCALE!

IF IN DOUBT, ASK!

WHERE ELECTRONIC DOCUMENTS ARE SUPPLIED, THE END PRODUCT MUST CONFORM TO THE PAPER ORIGINAL.

TITLE SAT SERIES SAFE AREA ROOM THERMOSTAT GENERAL ARRANGEMENT			
STOCK CODE No.	HEATEX DRAWING No.	SHEET No.	REV
	3033-01-S1	01 of 01	01
PRODUCT: SAT SERIES SAFE AREA ROOM THERMOSTAT			FORMAT: AutoCAD 2000