

HEOL Line Heaters

The HEOL range of line heaters is suitable for heating all process fluids which are non-corrosive to the materials of construction. They provide a clean and efficient heating method for bulk liquid flow applications.

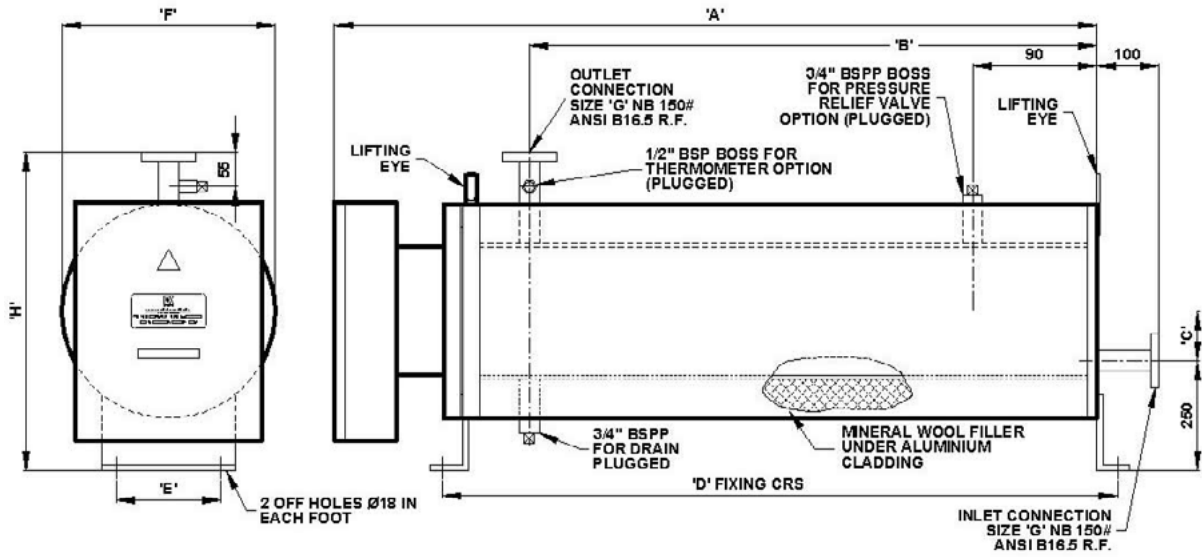


FEATURES

- Thermal insulation and cladding
- Weatherproof terminal enclosure with protection to IP66
- Internal control thermostats and over-temperature thermostat
- Also available in flameproof construction for hazardous areas utilising the FP range
- Alternative materials of construction available
- Designed for horizontal installation (vertical mounting version available on request)

TYPICAL APPLICATIONS

- Industrial washing and rinsing processes
- Indirect heating of liquids
- Engine jacket pre-heating
- Temperature maintenance of storage tanks
- Under floor heating schemes
- Lube oil pre-heating
- Fuel oil
- Heat transfer oils
- Tempering of low grade residual oils for burners and engines



Model	Loading (kW)	Dimensions (mm)							
		A	B	C	D	E	F	G	H
HEOL 1/3	3	995	640	50	865	220	290	40	526
HEOL 2/6	6	995	640	50	865	220	290	40	526
HEOL 3/9	9	1395	640	50	865	220	290	40	526
HEOL 3/12	12	1395	1040	50	1265	220	290	40	526
HEOL 3/15	15	1705	1040	50	1265	220	290	40	526
HEOL 3/18	18	1705	1350	50	1575	220	290	40	526
HEOL 6/24	24	1195	835	75	1060	260	353	40	575
HEOL 6/30	30	1395	1035	75	1260	260	353	40	575
HEOL 6/36	36	1595	1235	75	1460	260	353	40	575
HEOL 6/42	42	1795	1435	75	1660	260	353	40	575
HEOL 6/48	48	1995	1635	75	1860	260	353	40	575
HEOL 9/54	54	1595	1235	75	1460	300	416	40	628
HEOL 9/63	63	1795	1435	75	1660	300	416	40	628
HEOL 9/72	72	1995	1635	75	1860	300	416	40	628
HEOL 9/81	81	2195	1835	75	2060	300	416	40	628

*Also available in flameproof construction and certified to ATEX / IECEx, CSA, CU TR, KGS, Inmetro, CNEx, CCOE



Hazardous Area Electric Heaters & Controls

Construction	Weatherproof protection to IP66
Element	Removable ceramic core type housed in mild steel or 316 stainless steel, or cartridge type housed in 316 stainless steel
Working Pressure	Up to 10 barg / 145 psig, subject to design parameters
Design Code	Sound Engineering Practice (SEP)
Vessel	Mild steel or 316 stainless steel
Insulation	Mineral wool
Cladding	Stucco aluminium
Voltage	Standard supplies up to 690V, subject to design parameters
Rating	Up to 120kW (subject to application)