

PIH Portable Immersion Heaters

The PIH range of portable immersion heaters are suitable for heating large or small quantities of water, stored in open topped vessels and baths, where permanently installed immersion heaters are not practical or desirable.

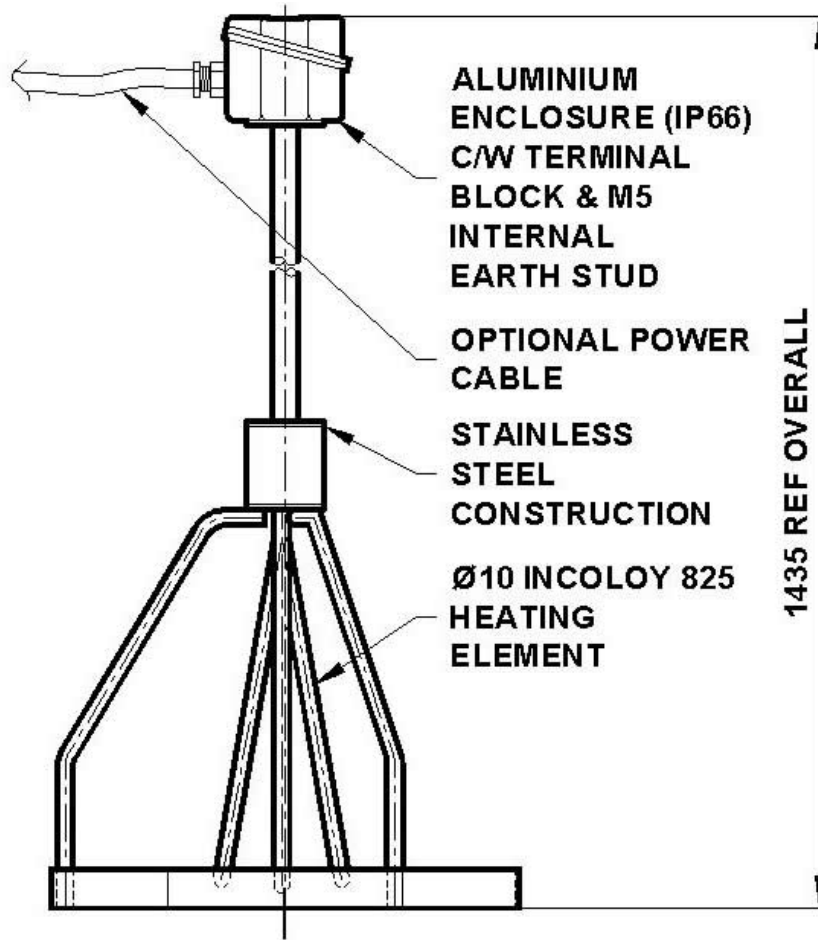
FEATURES

- IP66 terminal enclosure
- Robust stainless steel construction
- Long life Incoloy 825 sheathed rod type elements
- Wide, stable, self-supporting base
- Optional control thermostat
- Long unheated length for use with low liquid levels

TYPICAL APPLICATIONS

- Baptismal pools
- Sterilizing
- Drum heating
- Vat heating





Minimum depth of water must not fall below 310mm and the maximum must not exceed 1000mm

Enclosure	Self colour aluminium protected to IP66
Element	Rod type with Incoloy 825 sheaths
Immersed Parts	Stainless steel
Controls	Standard Construction – None Automatic Construction – Capillary type thermostat up to +30°C
Rating	Standard heater rating 3kW
Voltage	Standard 240V single phase; other single phase supplies on request
Installation	We recommend that the electrical supply is protected by an RCD and that the heater is fully earthed, the element must be fully submerged before being energised
Cable	5m of supply cable provided