

- NOTES**
- RATING AND SUPPLY -
 - PROCESS FIXING -
 - ENCLOSURE - RFA (CAST ALUMINIUM IP67)
 - ELEMENT(S) -
 - THERMOSTAT POCKET(S) -
 - HEATER SPECIFICATION :
 II 2G EEx'd IIC FLAMEPROOF HEATER EN50014 AND EN50018 GROUP IIC. SEE TABLE 'A' FOR TEMPERATURE CLASS. CERTIFICATE No LCIE 99 ATEX 6006X
 - CONTROLS -
 S1
 S2
 - HEATERS MUST HAVE A MINIMUM OF 1 OFF EITHER OVER-TEMPERATURE THERMOSTAT or CUTOUT WHICH MUST BE MANUALLY RESET BY EITHER:
 a) DEVICE BEING AUTO RESET, MANUALLY RESET AT THE CONTROL PANEL BY KEY SWITCH or SPECIAL TOOL.
 b) DEVICE BEING MANUAL RESET INSIDE TERMINAL BOX.
 - CABLE ENTRIES - (SUPPLIED PLUGGED)
 - MAX. OPERATING PRESSURE -
 - FINISH :
 TERMINAL BOX PAINTED TO HEATEX SPEC 3003-01-61 APPENDIX 'A' SYSTEM 7 RAL 3002 (RED).
 REMAINDER NATURAL.
 - REFER TO WIRING DIAGRAM TYPE

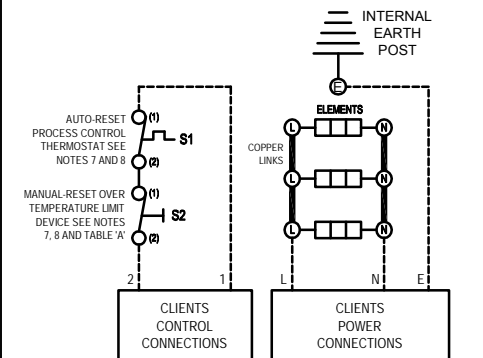
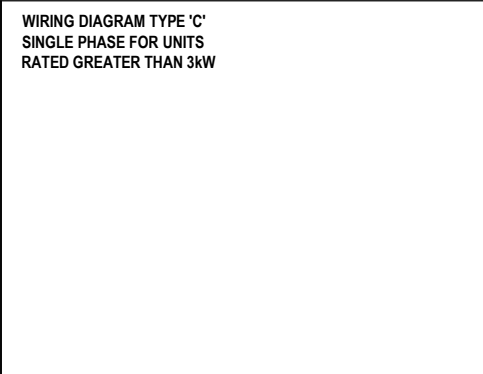
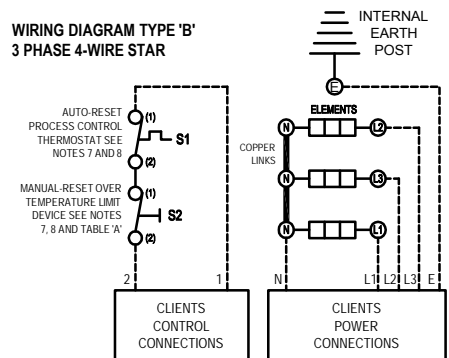
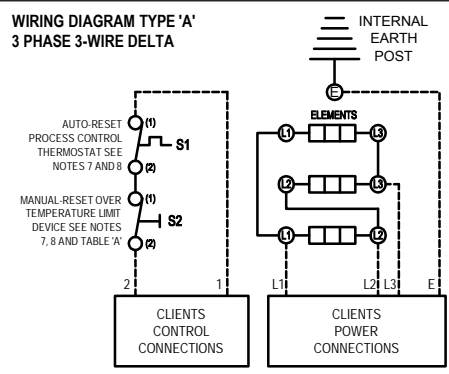
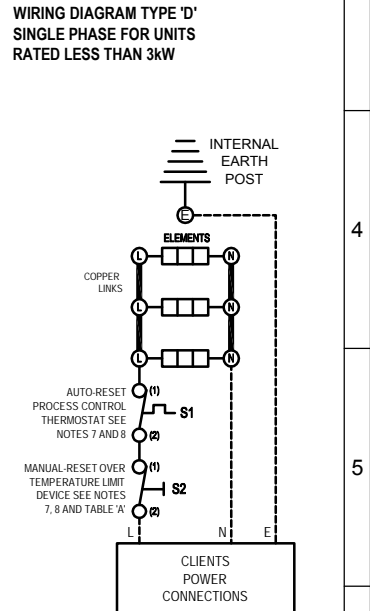


TABLE 'A'

LIMIT DEVICE MAX. SET POINTS (°C)		
T6	70°C	70°C
T5	90°C	85°C
T4	100°C	90°C
'T' CLASS	RFA1	RFA2



REV	COMMENTS	DATE	DRWN	CHKD	APPR
2	S1 & S2 REVERSED.	22/04/04	MJP	RW	RW
1	FIRST ISSUE (3006-02-S1-01 Sni 3)	10/02/04	MJP	GB	RW



SCALE NOT TO SCALE

3rd ANGLE PROJECTION

TOLERANCES UNLESS OTHERWISE STATED

0	: 1.5mm
0.0	: 0.5mm
0.00	: 0.25mm
0.000	: 0.1mm

ANGULAR : 2'

ALL DIMENSIONS IN MILLIMETRES UNLESS OTHERWISE STATED

DO NOT SCALE!

IF IN DOUBT, ASK!

WHERE ELECTRONIC DOCUMENTS ARE SUPPLIED, THE END PRODUCT MUST CONFORM TO THE PAPER ORIGINAL.

PRODUCT: RFA SERIES FLAMEPROOF IMMERSION HEATER

TITLE

RFA SERIES FLANGED ROD TYPE FLAMEPROOF IMMERSION HEATER GENERAL ARRANGEMENT

STOCK CODE No.	
HEATEX DRAWING No.	
SHEET No.	03 of 04
REV	02

FORMAT: Acrobat PDF