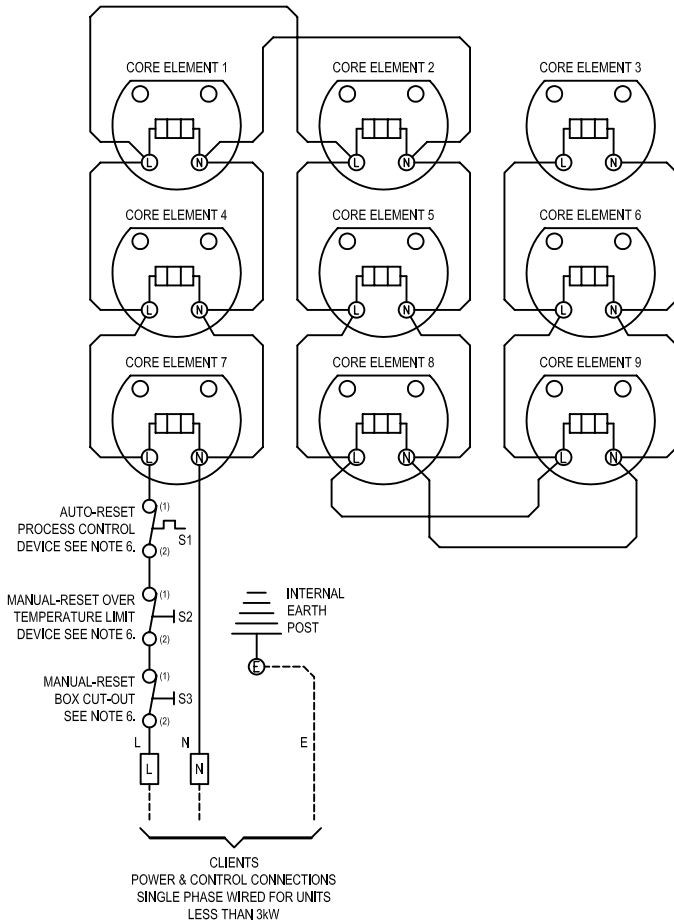
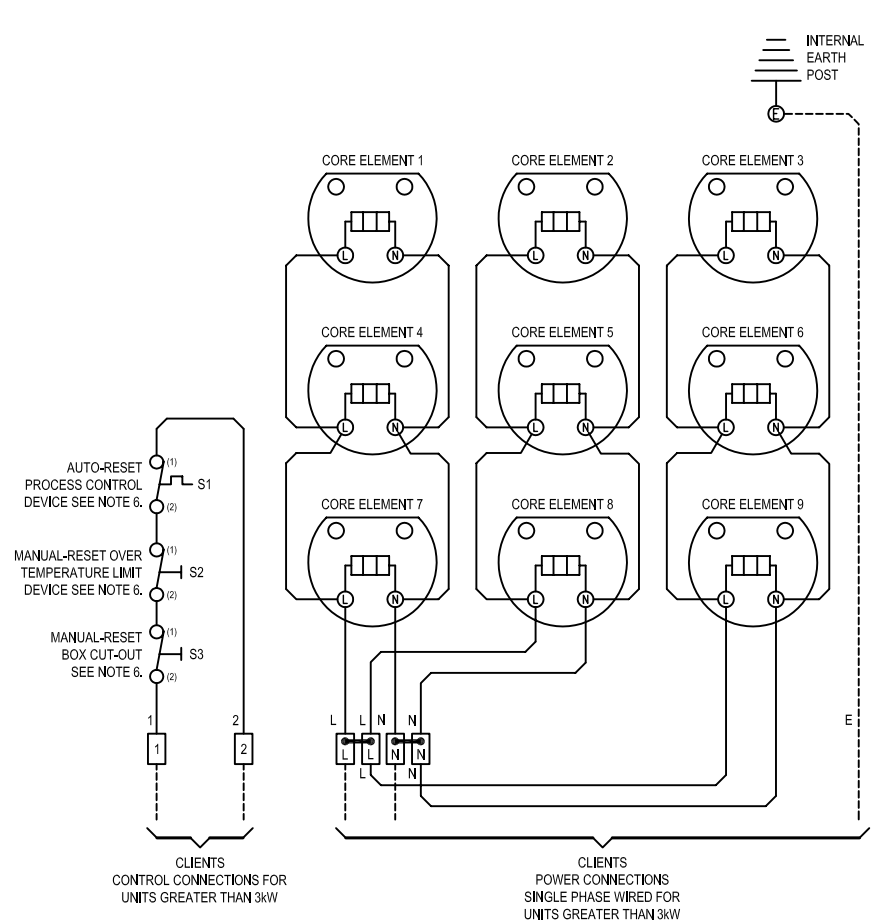


WIRING DIAGRAM TYPE 'A9'



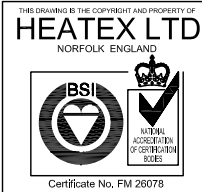
WIRING DIAGRAM TYPE 'B9'



NOTES

1. FOR FURTHER DETAILS SEE APPROPRIATE GENERAL ARRANGEMENT.
2. ——— = DENOTES INTERNAL WIRING BY HEATEX.
3. - - - - - = DENOTES EXTERNAL WIRING BY CLIENT.
4. □ = DENOTES CLIENTS TERMINATION.
5. CORE ELEMENT CONNECTIONS MAY DIFFER FROM AS SHOWN.
6. HEATER MUST HAVE A MINIMUM OF 1 OFF EITHER OVER TEMPERATURE THERMOSTAT or CUT-OUT WHICH MUST BE MANUALLY RESET BY EITHER:
  - a) DEVICE BEING AUTO-RESET, MANUALLY RESET AT THE CONTROL PANEL BY KEY SWITCH or OTHER SPECIAL TOOL.
  - b) DEVICE BEING MANUAL RESET INSIDE TERMINAL BOX. (PLEASE REFER TO NOTE 5 ON APPROPRIATE GENERAL ARRANGEMENT.)
7. EXTERNAL EARTH POST IS PROVIDED FOR CLIENTS BONDING CONNECTION.
8. FOR CABLE ENTRIES DETAILS SEE NOTE 8 ON APPROPRIATE GENERAL ARRANGEMENT.
9. SEE SHEET 16 FOR WIRING DIAGRAMS TYPES 'C9' AND 'D9'.

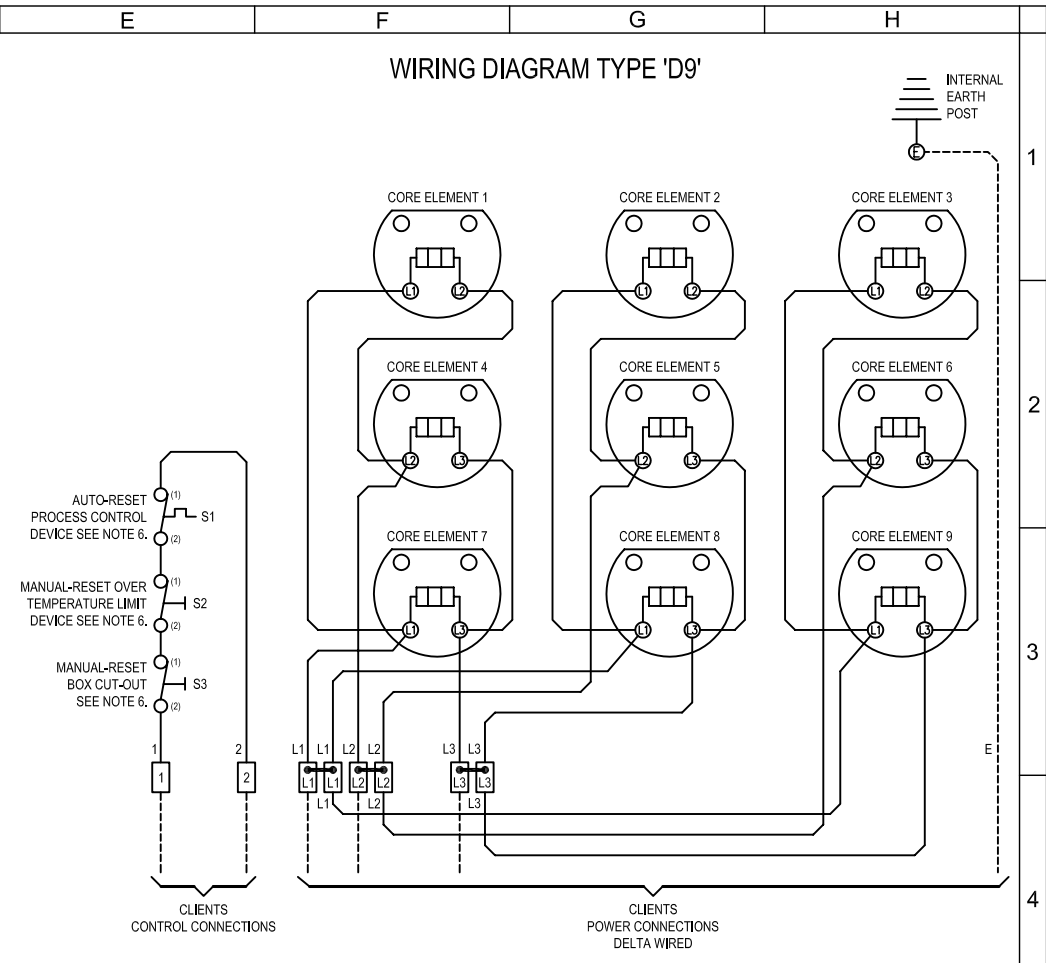
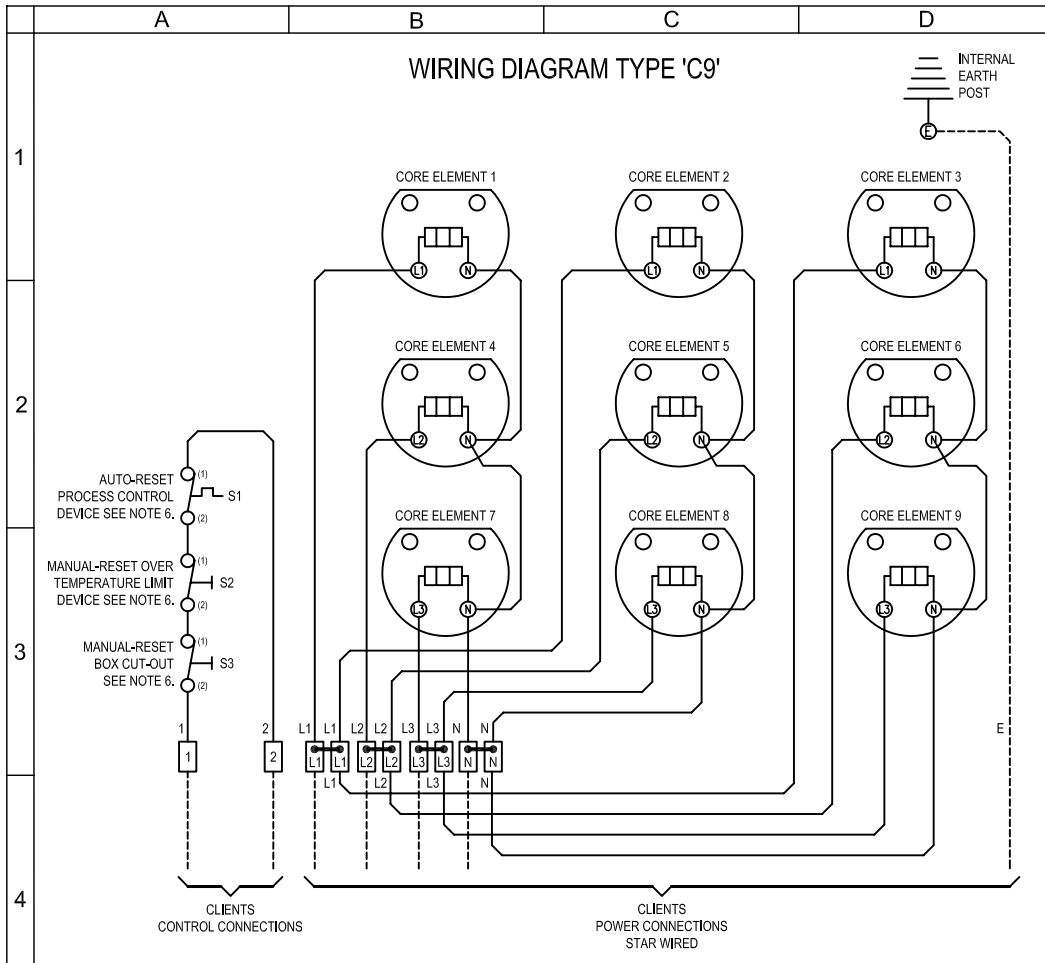
1	FIRST ISSUE	30/01/04	MJP	KC	RW
REV.	COMMENTS	DATE	DRWN	CHKD	APPR



SCALE	NOT TO SCALE
3rd ANGLE PROJECTION	
TOLERANCES UNLESS OTHERWISE STATED	0 : 1.5mm 0.0 : 0.5mm 0.00 : 0.25mm 0.000 : 0.1mm
ANGULAR	2°

ALL DIMENSIONS IN MILLIMETRES UNLESS OTHERWISE STATED  
DO NOT SCALE!  
IF IN DOUBT, ASK!  
WHERE ELECTRONIC DOCUMENTS ARE SUPPLIED, THE END PRODUCT MUST CONFORM TO THE PAPER ORIGINAL.

TITLE FP-C SERIES FLAMEPROOF INDUSTRIAL IMMERSION HEATER NINE CORE TYPE WIRING DIAGRAM			
STOCK CODE No.	HEATEX DRAWING No.	SHEET No.	REV
	3034-01-S1	15 of 16	01
PRODUCT: FP SERIES FLAMEPROOF IMMERSION HEATER		FORMAT: Acrobat PDF	



#### NOTES

1. FOR FURTHER DETAILS SEE APPROPRIATE GENERAL ARRANGEMENT.
2. ——— = DENOTES INTERNAL WIRING BY HEATEX.
3. - - - - - = DENOTES EXTERNAL WIRING BY CLIENT.
4. □ = DENOTES CLIENTS TERMINATION.
5. CORE ELEMENT CONNECTIONS MAY DIFFER FROM AS SHOWN.
6. HEATER MUST HAVE A MINIMUM OF 1 OFF EITHER OVER TEMPERATURE THERMOSTAT or CUT-OUT WHICH MUST BE MANUALLY RESET BY EITHER:
  - a) DEVICE BEING AUTO-RESET, MANUALLY RESET AT THE CONTROL PANEL BY KEY SWITCH or OTHER SPECIAL TOOL.
  - b) DEVICE BEING MANUAL RESET INSIDE TERMINAL BOX. (PLEASE REFER TO NOTE 5 ON APPROPRIATE GENERAL ARRANGEMENT.)
7. EXTERNAL EARTH POST IS PROVIDED FOR CLIENTS BONDING CONNECTION.
8. FOR CABLE ENTRIES DETAILS SEE NOTE 8 ON APPROPRIATE GENERAL ARRANGEMENT.
9. SEE SHEET 15 FOR WIRING DIAGRAMS TYPES 'A9' AND 'B9'.

REV.	COMMENTS	DATE	DRWN	CHKD	APPR
1	FIRST ISSUE	30/01/04	MJP	KC	RW



SCALE NOT TO SCALE	
3rd ANGLE PROJECTION	
TOLERANCES UNLESS OTHERWISE STATED	
0	: 1.5mm
0.0	: 0.5mm
0.00	: 0.25mm
0.000	: 0.1mm
ANGULAR	: 2°

ALL DIMENSIONS IN MILLIMETRES UNLESS OTHERWISE STATED

DO NOT SCALE!

IF IN DOUBT, ASK!

WHERE ELECTRONIC DOCUMENTS ARE SUPPLIED, THE END PRODUCT MUST CONFORM TO THE PAPER ORIGINAL.

TITLE			
FP-C SERIES FLAMEPROOF INDUSTRIAL IMMERSION HEATER NINE CORE TYPE WIRING DIAGRAM			
STOCK CODE No.		SHEET No.	
HEATEX DRAWING No.		REV	
3034-01-S1		16 of 16 01	
PRODUCT: FP SERIES FLAMEPROOF IMMERSION HEATER			
FORMAT: Acrobat PDF			