

HEWL Line Heaters

The HEWL range of line heaters is suitable for heating all process fluids which are non-corrosive to the materials of construction. They provide a clean and efficient heating method for bulk liquid flow applications.

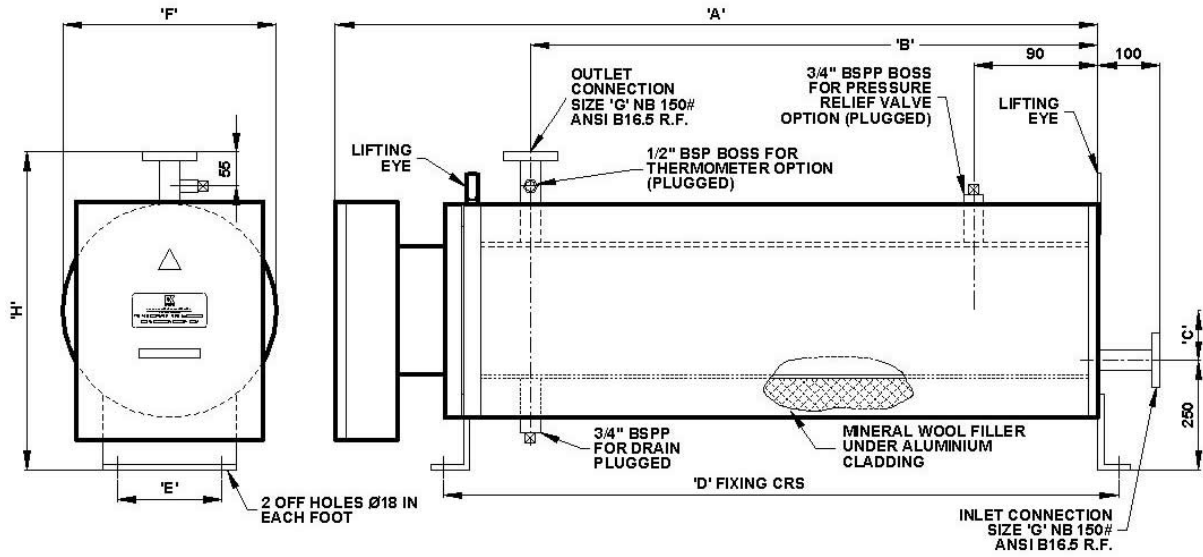


FEATURES

- Thermal insulation and cladding
- Weatherproof terminal enclosure with protection to IP66
- Internal control thermostats and over-temperature thermostat
- Also available in flameproof construction for hazardous areas utilising the FP range
- Alternative materials of construction available
- Designed for horizontal installation (vertical mounting version available on request)

TYPICAL APPLICATIONS

- Engine jacket pre-heating
- Fuel oil
- Heat transfer oils
- Indirect heating of liquids
- Industrial washing and rinsing processes
- Lube oil pre-heating
- Temperature maintenance of storage tanks
- Tempering of low grade residual oils for burners and engines
- Under floor heating schemes



Model	Loading (kW)	Dimensions (mm)							
		A	B	C	D	E	F	G	H
HEWL 15	15	1395	1040	50	1265	220	290	40	526
HEWL 18	18	1395	1040	50	1265	220	290	40	526
HELW 24	24	1705	1350	50	1575	220	290	40	526
HEWL 30	30	1705	1350	50	1575	220	290	40	526
HEWL 45	45	1795	1435	74	1660	260	353	40	575
HEWL 60	60	1795	1435	74	1660	260	353	40	575
HEWL 75	75	1795	1435	100	1660	300	416	40	628
HEWL 90	90	1795	1435	100	1660	300	416	40	628
HEWL 105	105	1795	1435	100	1660	300	416	40	628
HEWL 120	120	1795	1435	100	1660	300	416	40	628

*Also available in flameproof construction and certified to ATEX/IECEX, CSA, CU TR (EAC), Inmetro, CNEX, CCOE & KGS

- Construction:** Weatherproof protection to IP66
- Element:** Incoloy 800 or 825, 316L or 304 stainless steel, sheathed rod type
- Working Pressure:** Up to 10 barg/145 psig, subject to design parameters
- Design Code:** Sound Engineering Practice (SEP)
- Vessel:** Mild steel or 316 stainless steel
- Insulation:** Mineral wool
- Cladding:** Stucco aluminium
- Voltage:** Standard supplies up to 690V, subject to design parameters